

Linux.conf.au 2016  
Sysadmin Miniconf

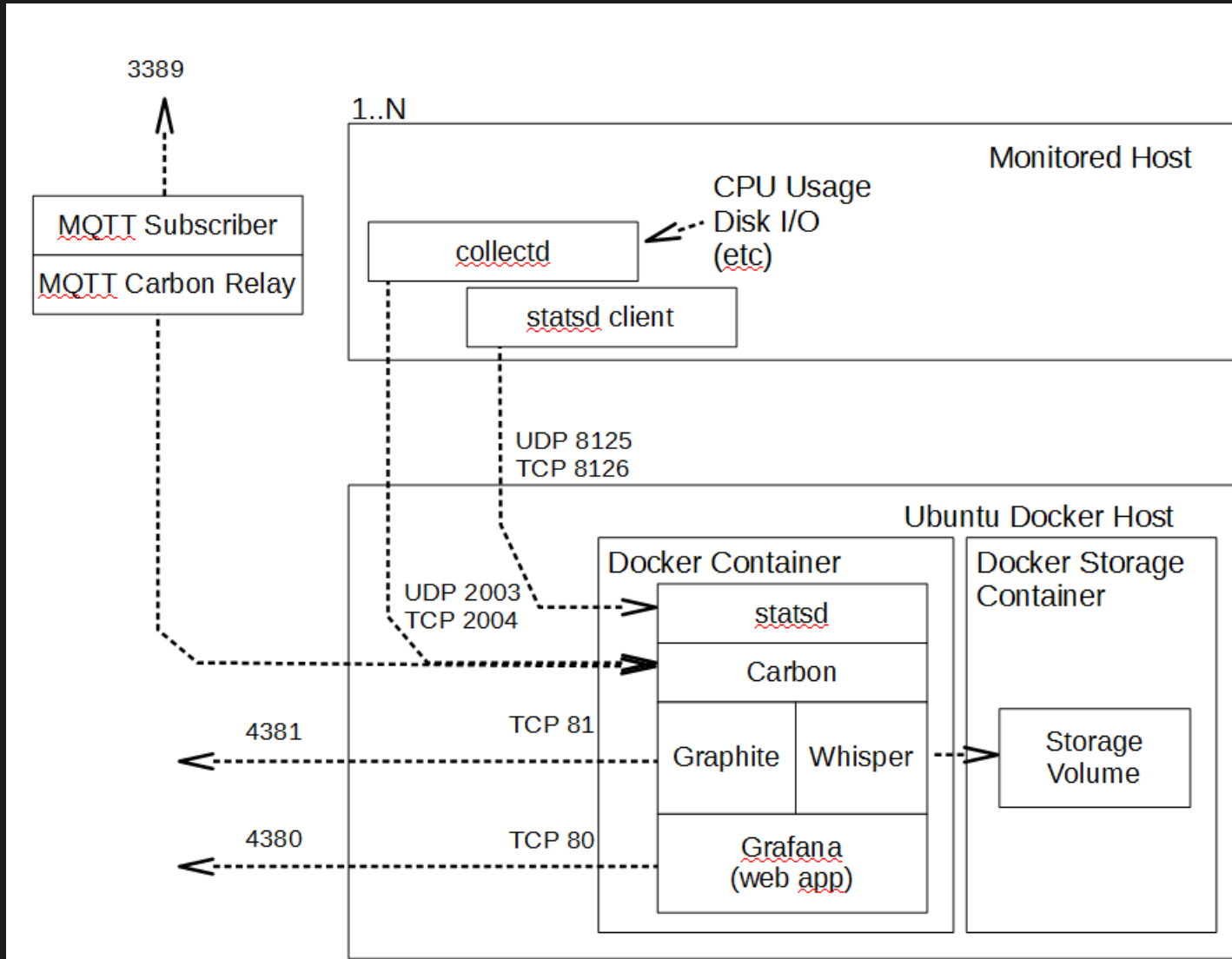
# Creating bespoke logging systems and dashboards with Grafana

Andrew McDonnell  
@pastcompute  
<https://linkedin.com/in/amcdonnell>

# Demo Spec: Ubuntu Docker Server

- Virtual Box 4.3
- Ubuntu 14.04.3
- Docker 1.8.3
  - Docker 1.9.1 is beset by issue #18180
  - Collectd

# Architecture



# Demo Spec: Dockerfile

- Upstream

- github : [kamon-io/docker-grafana-graphite](https://github.com/kamon-io/docker-grafana-graphite)

Start script with storage container

- `pastcompute/docker-grafana-graphite -b demo`

Demo

# MQTT Feed

- MQTT to carbon importer
  - [jpmens/mqtt2graphite](#)

Questions?





